

## INSTALLATION INSTRUCTIONS FLUSH-FLOOR POKE-SERVICE FITTING SINGLE RECEPTACLE POWER OR TELE/DATA COVER WITH 3/4" - 2" PLUG

Cat. No. FPT3/4-2CACP



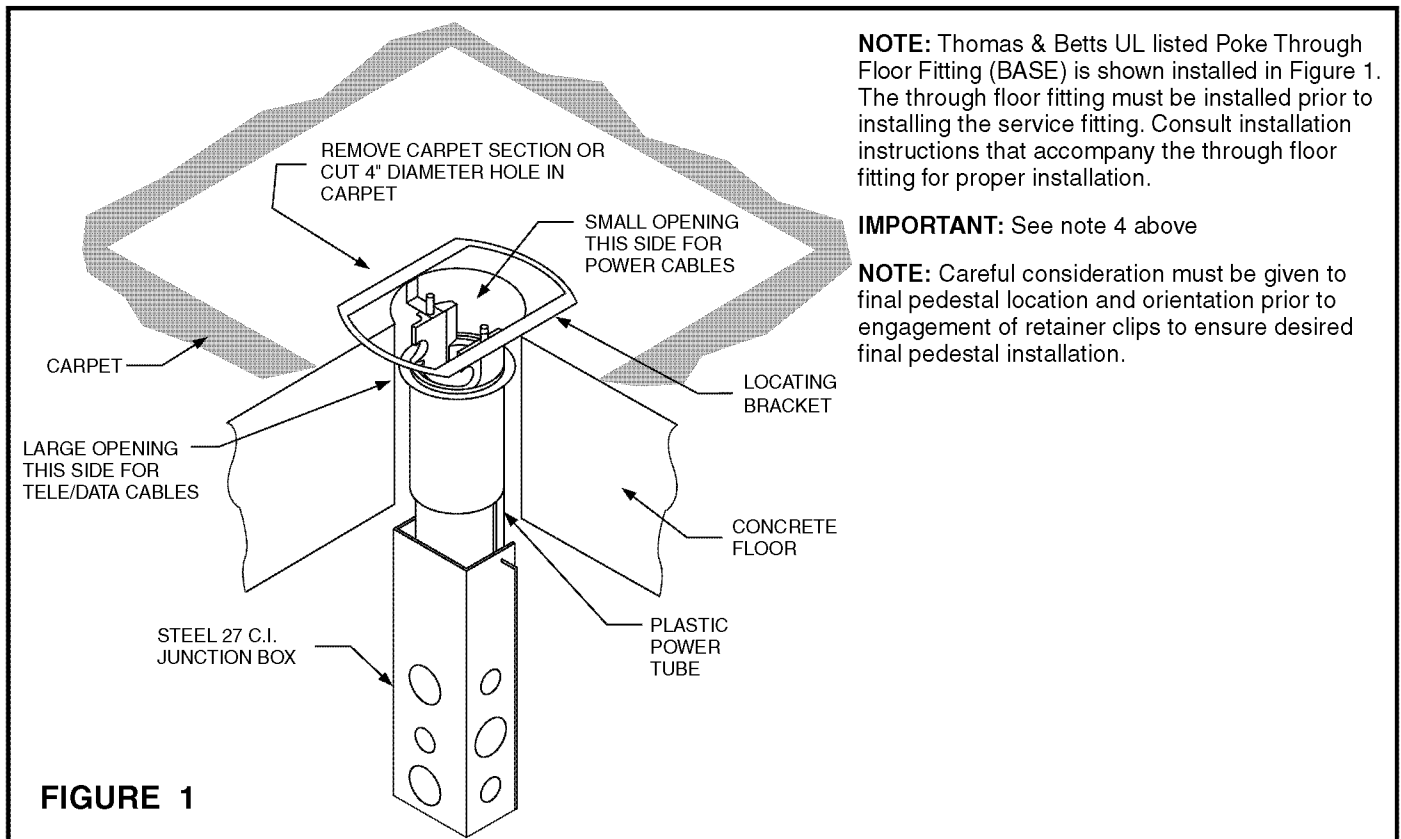
1. The FPT3/4-2CACP Cover is a flush service fitting designed to accommodate power or tele/data. It CANNOT BE configured for dual service. Installation instructions are provided for 3 different configurations:

- Section 1:** Single Receptacle Power.
- Section 2:** Single OMNI style Data/Voice Receptacle.
- Section 3:** 3/4" - 2" Service Opening for Tele/Data Cable.

This kit INCLUDES everything required to install the FPT3/4-2CACP cover. It DOES NOT INCLUDE a single receptacle device or voice/data receptacle adapter plate or data receptacle.

2. THIS SERVICE FITTING IS ONLY TO BE USED IN COMBINATION WITH A THOMAS & BETTS FIRE RESISTANCE CLASSIFIED, UL LISTED THROUGH FLOOR FITTING. The POKE-THROUGH system is designed to maintain the hourly rating of concrete floors having ratings of 1 to 4 hours, when installed in accordance with these installation instructions.

3. To maintain fire resistance classification rating, this Thomas & Betts service fitting must be mounted to a Thomas & Betts through floor fitting (BASE). An abandonment kit (Cat. No. FPT415) can be used in place of the service fitting.
- 4) See product category "outlet boxes and fittings" classification for fire resistance standards. This standard can be found in the current Underwriters Laboratories, Inc. "Fire Resistance Directory", which includes a listing for the fire resistance classification of Thomas & Betts Modular Poke-Through System.
- 5) All instructions of UL listed poke-through service fittings have the following restrictions: "Minimum of 2ft. on center and not more than one device per 65 sq. ft. of floor area in each span."
- 6) This service fitting will mount to several types of Thomas & Betts UL listed through floor fittings. Determine location and orientation of mounting screw holes for the specific service fitting chosen prior to installation. CONSULT THE ENCLOSED ADDENDUM FOR MORE DETAILS.



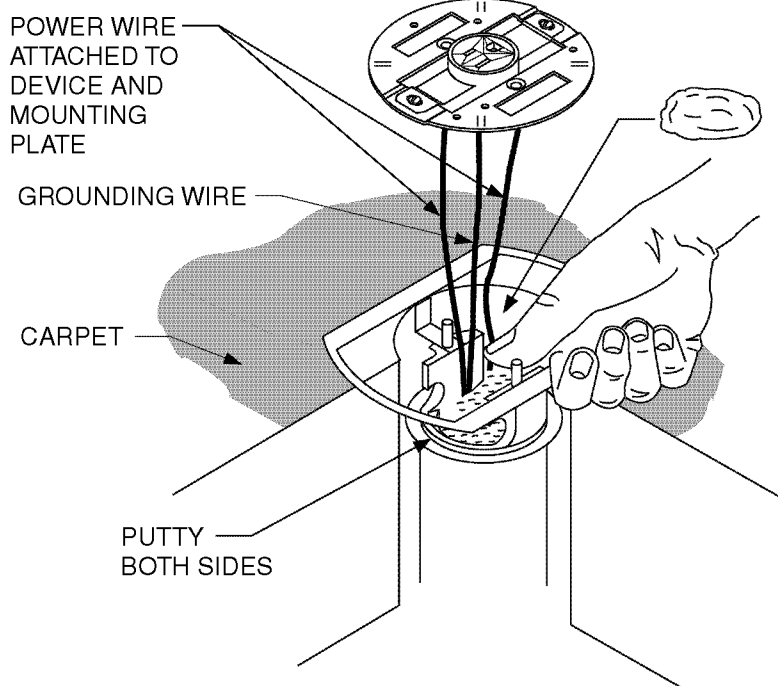
**FIGURE 1**

**NOTE:** Thomas & Betts UL listed Poke Through Floor Fitting (BASE) is shown installed in Figure 1. The through floor fitting must be installed prior to installing the service fitting. Consult installation instructions that accompany the through floor fitting for proper installation.

**IMPORTANT:** See note 4 above

**NOTE:** Careful consideration must be given to final pedestal location and orientation prior to engagement of retainer clips to ensure desired final pedestal installation.

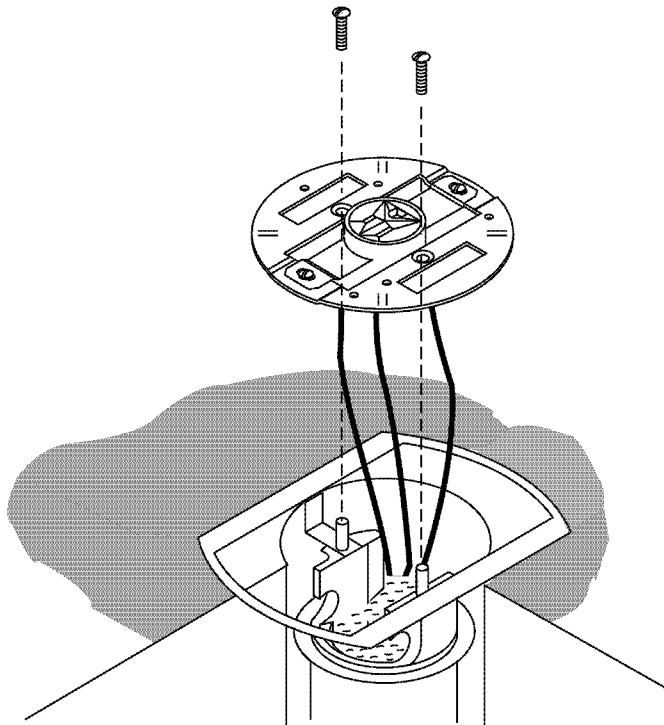
## SECTION 1 — SINGLE REPTACLE POWER



- Ensure that all electrical power is disconnected and that the wires are de-energized.
- Attach single receptacle to mounting plate with device furnished 6-32 screws.
- Draw power wires through power side of poke-through. Connect electrical wires including grounding wire to a UL listed specification grade 15A or 20A, 125V single receptacle device in accordance with good installation practices.
- Fill inside of poke-through device with putty supplied. Press firmly into place around all wires. Use all putty material supplied.

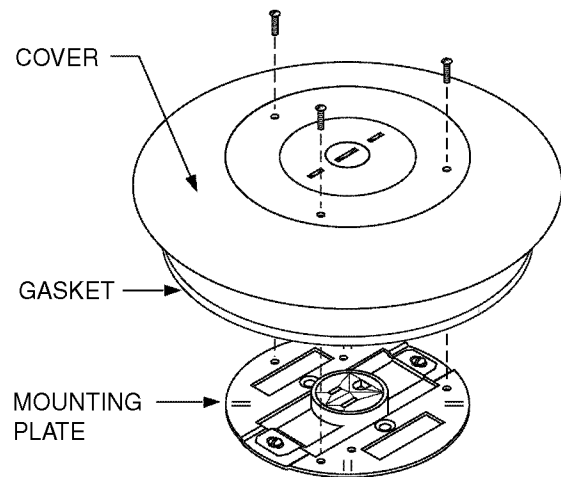
**FIGURE 2**

Attach mounting plate to poke-through with screws furnished.



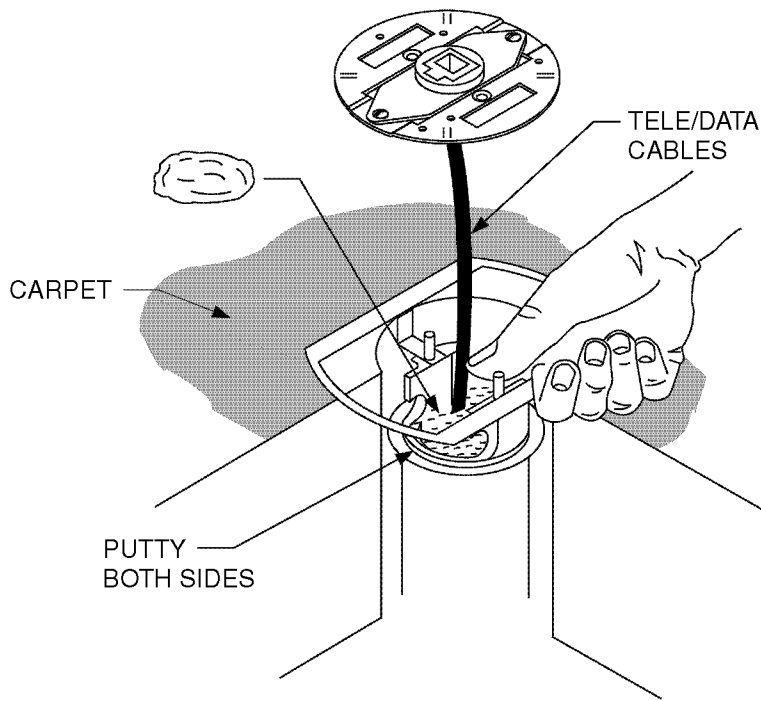
**FIGURE 3**

Attach cover and gasket to mounting plate with three head screws furnished.



**FIGURE 4**

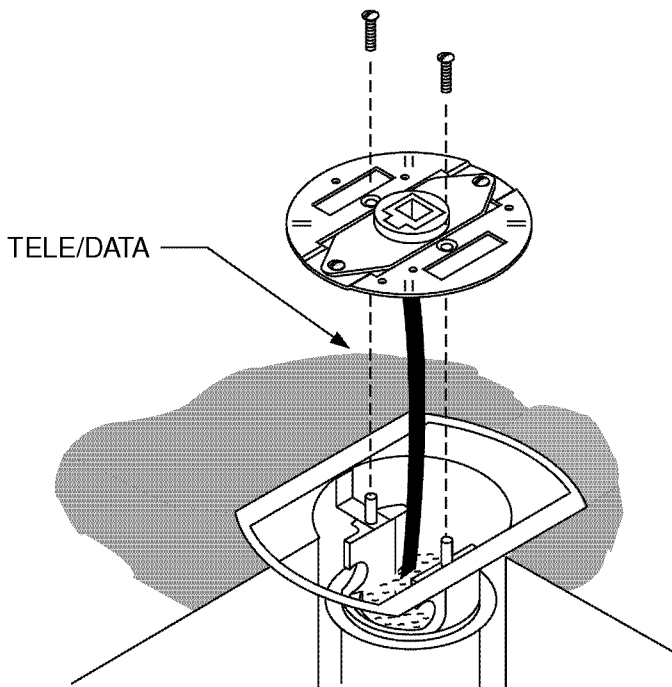
**SECTION 2 — SINGLE OMNI STYLE REPTACLE**



- a) Attach single OMNI style tele/data adapter plate (ref. T&B part no. 009-4-710-1) to poke-through mounting plate with device furnished 6-32 screws.
- b) Draw tele/data cable through data side of poke-through device leaving 4" of cable above floor. Attach cable to tele/data receptacle. Install receptacle into adapter plate.
- c) Fill inside of poke-through device with putty supplied. Press firmly into place around all cables/wires. Use all putty material supplied.

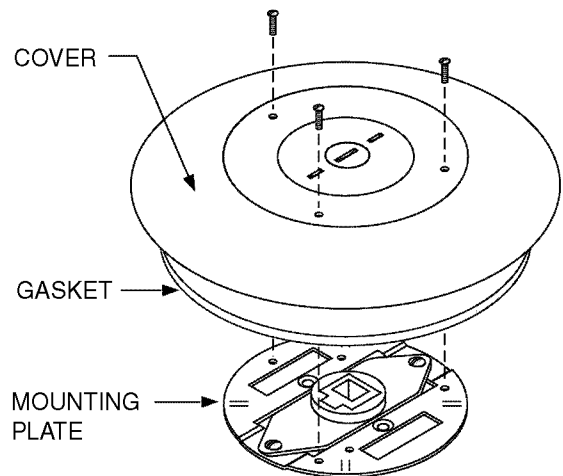
**FIGURE 5**

Attach mounting plate to poke-through with screws furnished.



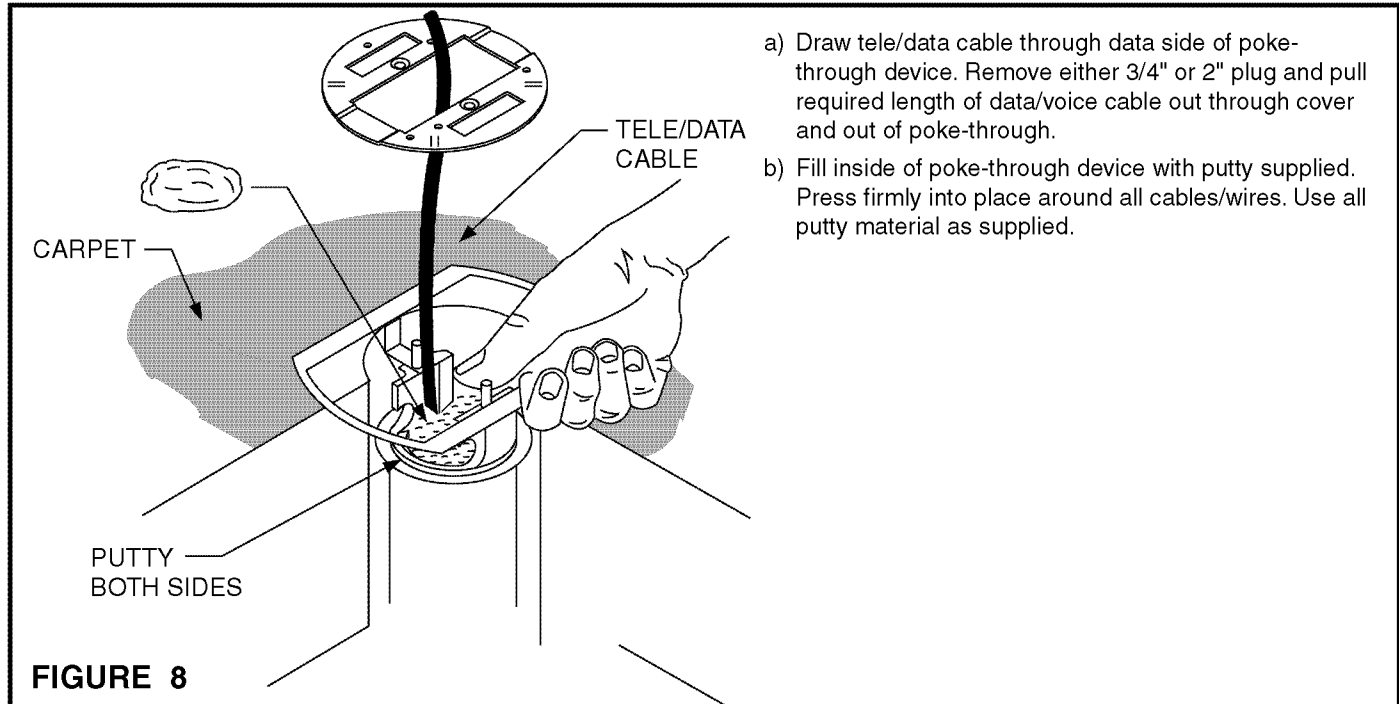
**FIGURE 6**

Attach cover and gasket to mounting plate with three flat head screws furnished.

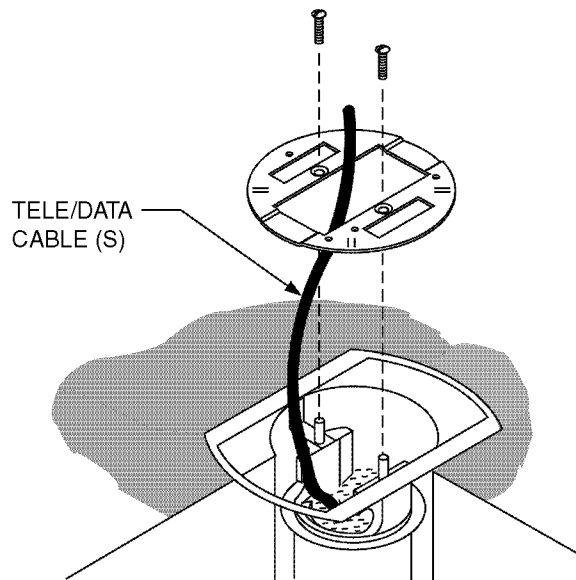


**FIGURE 7**

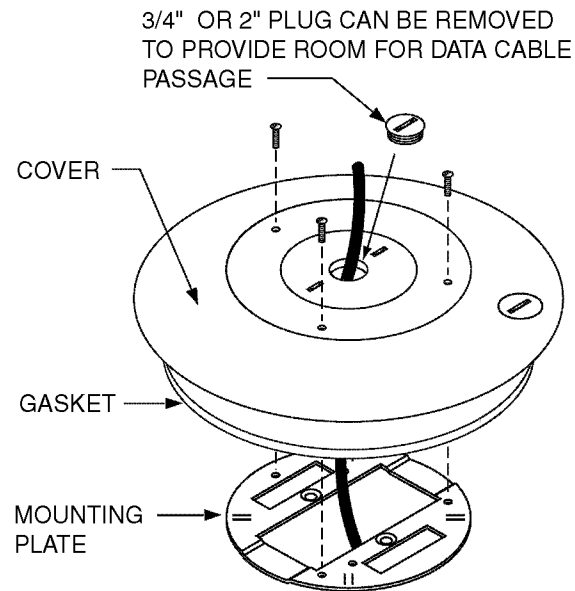
## SECTION 3 — 3/4" - 2" SERVICE OPENING FOR THE DATA CABLE



Attach mounting plate to poke-through with screws furnished.



Attach cover and gasket to mounting plate with three flat head screws furnished.



**WARRANTY:** Thomas & Betts sells this product with the understanding that the user will perform all necessary tests to determine the suitability of this product for its intended use. Thomas & Betts manufactures its goods and tools in a manner to be free of defects. Should any defect occur in its goods within two (2) years (or tools within time stated on warranty card) of date of purchase, Thomas & Betts, upon prompt notification, will at its option, exchange or repair the goods or tools or refund the purchase price. Proof of purchase required.

**Limitations and Exclusions:** THIS WARRANTY IS IN LIEU OF ALL OTHER REPRESENTATIONS AND EXPRESSED AND IMPLIED WARRANTIES (INCLUDING THE IMPLIED WARRANTIES OF MERCHANTABILITY AND FITNESS FOR USE), AND UNDER NO CIRCUMSTANCES SHALL THOMAS & BETTS BE LIABLE FOR ANY INCIDENTAL OR CONSEQUENTIAL DAMAGES OR LOSSES OF ANY KIND.

Thomas & Betts Corporation.  
Memphis, Tennessee